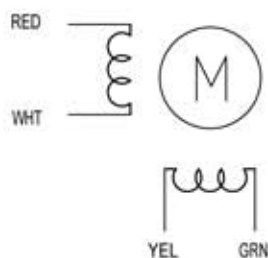


# HIGH TORQUE HYBRID STEPPING MOTOR SPECIFICATIONS

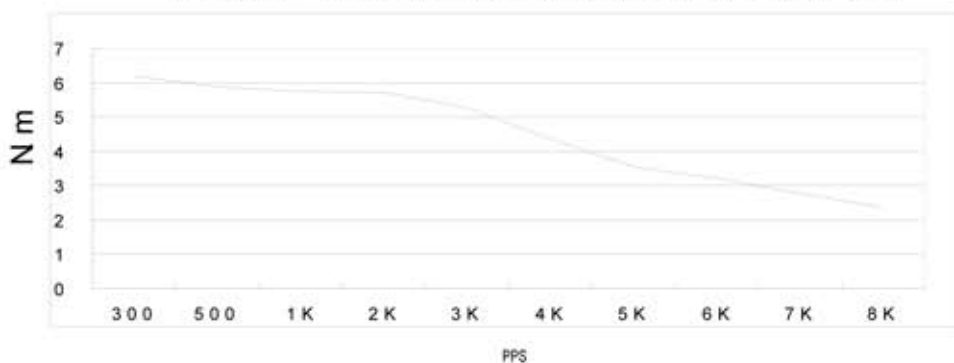
General specifications		Electrical specifications	
Step Angle (°)	1.8	Rated Voltage (V)	3.6
Temperature Rise (°C)	80 Max (rated current, 2 phase on)	Rated Current (A)	6
Insulation Resistance (°C)	-20~+50	Resistance Per Phase(±0%Ω)	0.6 (25°C)
Number of Phase	2	Inductance Per Phase (±20%mH)	6.5
Insulation Resistance (MΩ)	100 Min (500VDC)	Holding Torque (N.m)	8.7
Insulation Class	Class B	Detent Torque (N.m)	0.24
Max.radial force (N)	220 (20mm from the flange)	Rotor Inertia (g.cm <sup>2</sup> )	2700
Max.axial force (N)	60	Weight (Kg)	3.87

● Wiring Diagram:

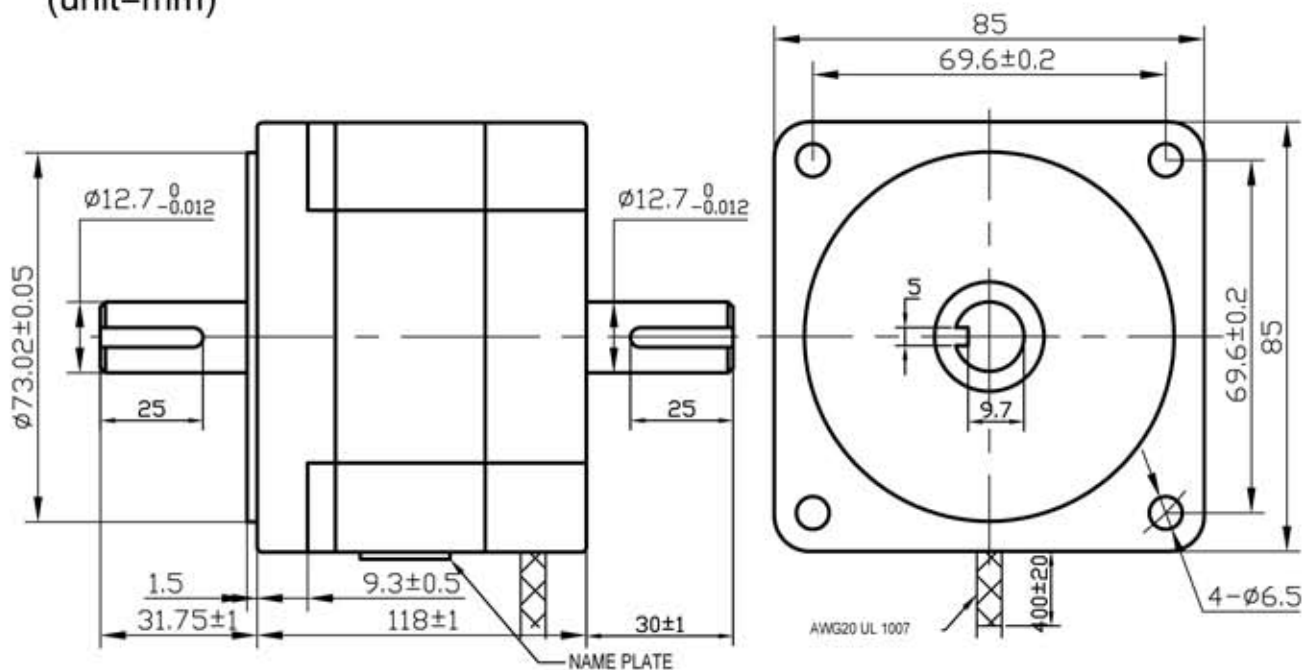


● Pull out torque curve:

VOLTAGE: 110VAC, CONSTANT CURRENT:6.0A,WZM-ZH110MS HLA F STEP



● Dimensions:  
(unit=mm)



REV	REVISIONS	DESCRIPTION	BY	DATE
DRAW	董宝军			
CHECK				
APPROVE				

**85STH118-6004B**

