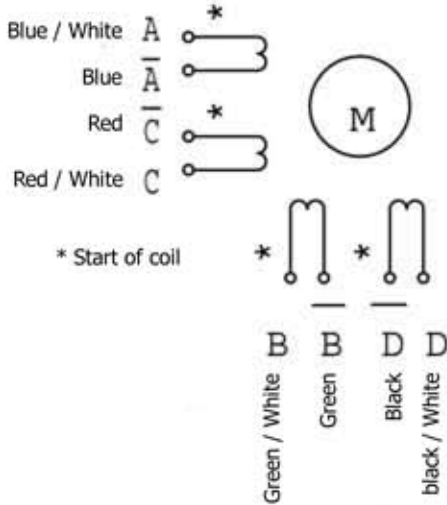
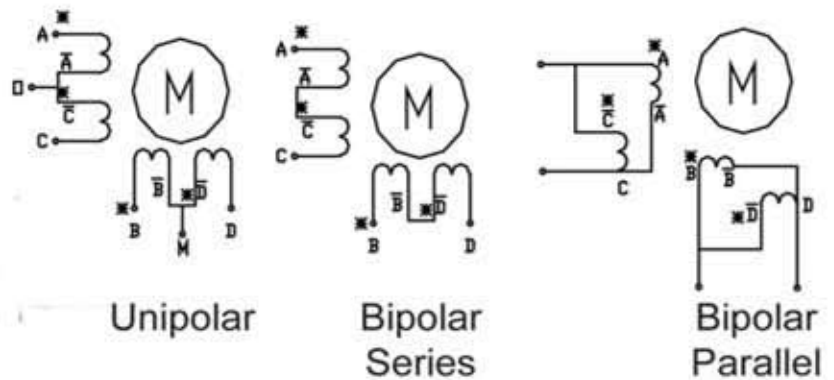
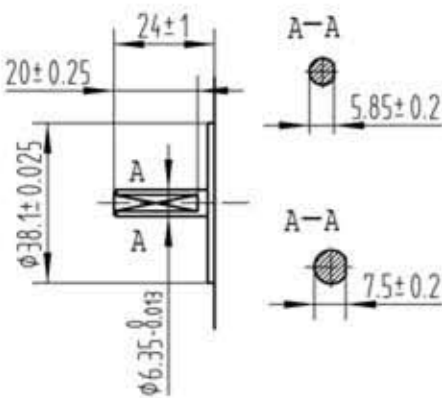
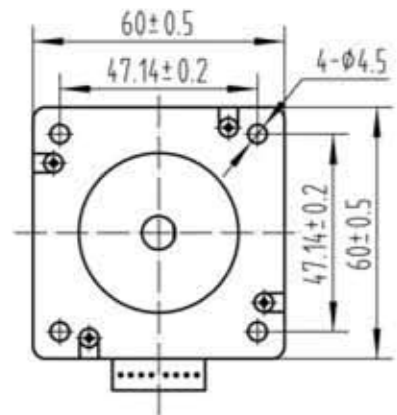
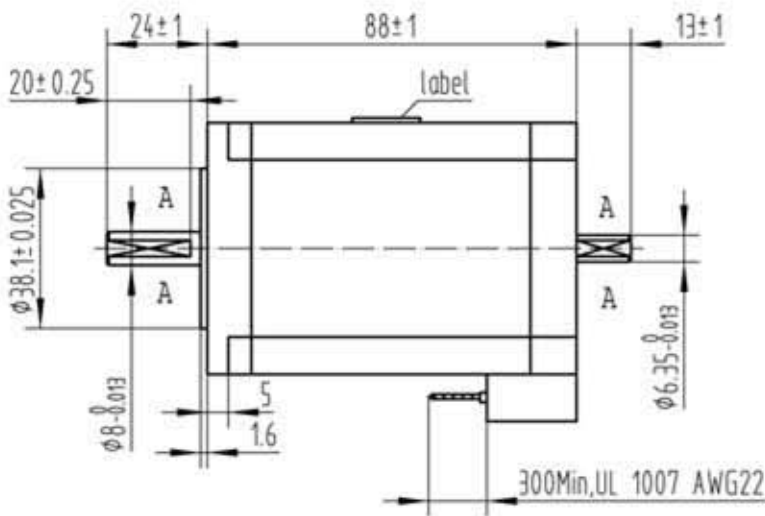
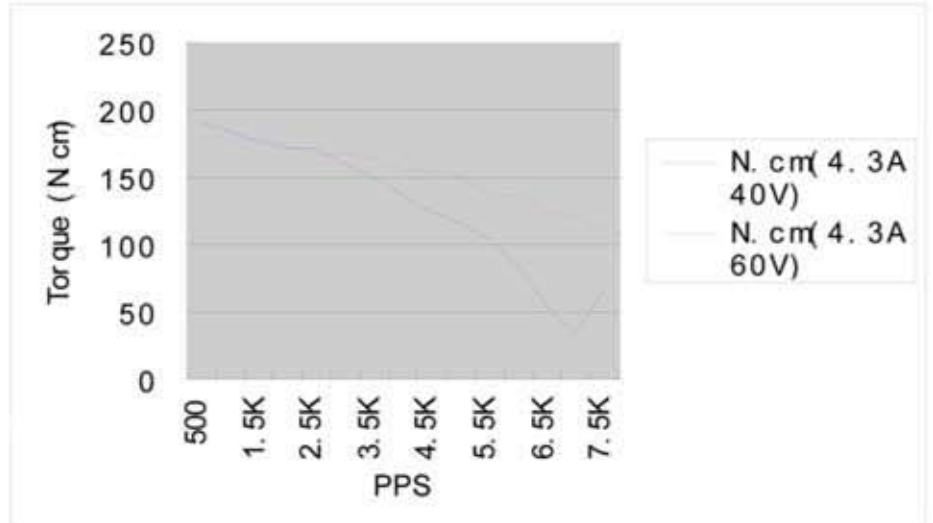


Part No	Connection Type	Phase	Degree	Voltage V	Current A	Resistance Ohm	Inductance mH	holding Torque Nm	Rotor Inertia g.cm ²	Weight KG
60STH-3008BF	Unipolar	4	1.8	3.9	3	1.3	3.2	2.15	640	1.4
	Bipolar(S)	2		5.46	2.1	2.6	12.8	3		
	Bipolar(P)	2		2.73	4.2	0.65	3.2	3		

Colour Codes:



Torque Curves



REV	REVISIONS	DESCRIPTION	BY	DATE

60STH88-3008BF



Anders Rohdin
Skillnabo Smedja

E-mail: anders@cnc2all.com

Phone: +46(0)325 304 00